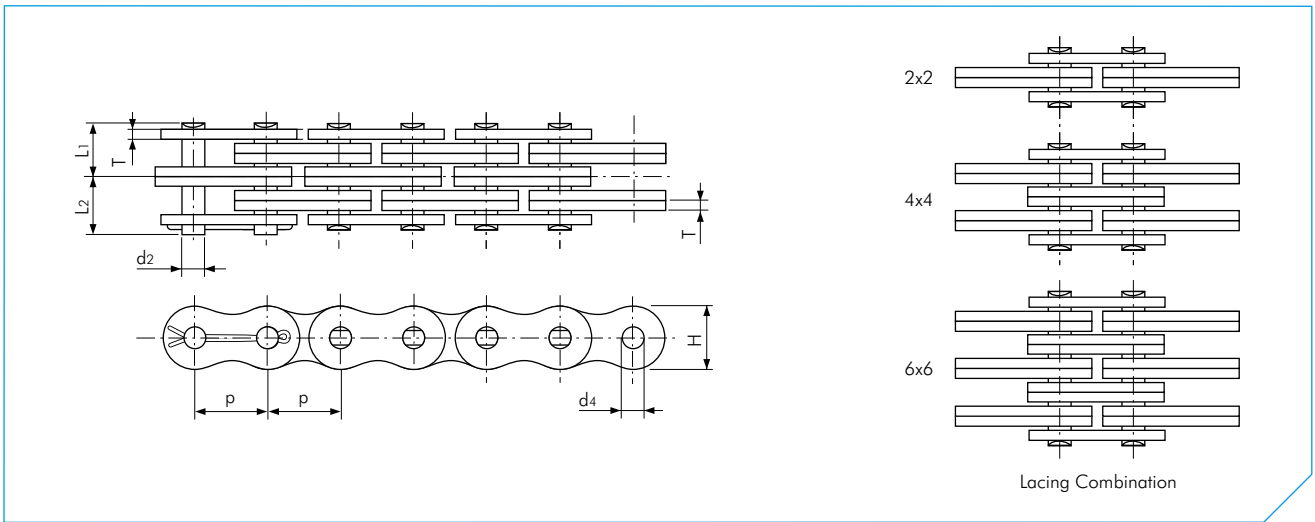


ANSI LEAF CHAIN



AL Type

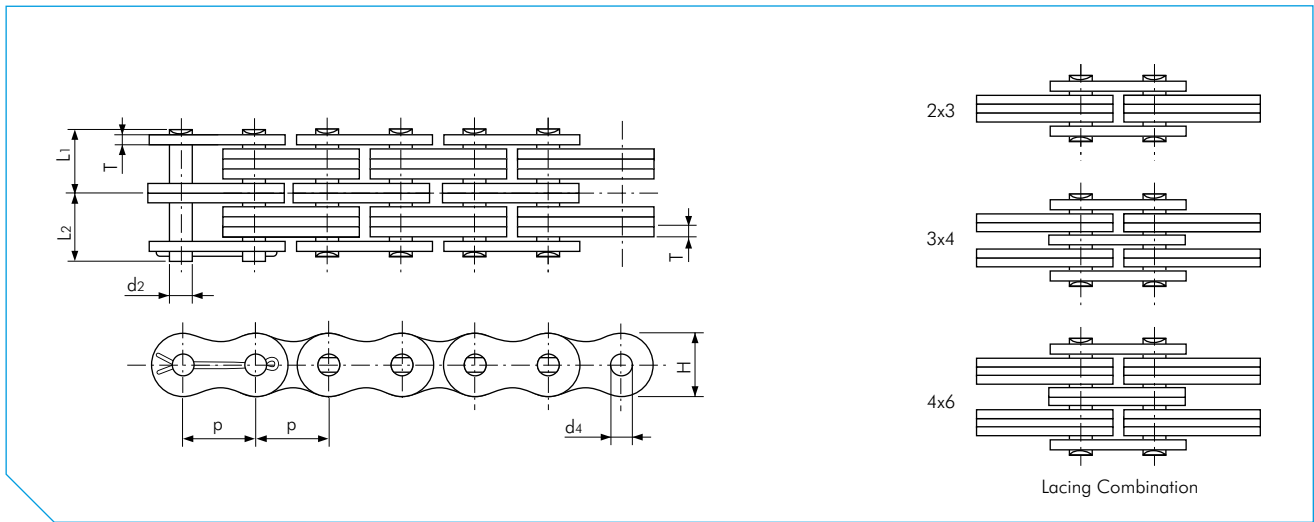
Dimensions in mm

TSUBAKI Chain No.	Pitch p	Lacing Combination LC	Pin			Link Plate			Min. Tensile Strength acc. to Tsubaki kN	Approx. Mass kg/m
			Diameter d2	Length L1	Length L2	Thickness T	Height H (max)	Hole Diameter d4		
AL 422		2 x 2		4.20	5.30				16.7	0.38
AL 444	12.70 (1/2")	4 x 4	3.97	7.43	8.52	1.50	10.40	4.02	33.3	0.74
AL 466		6 x 6		10.65	11.75				50.5	1.10
AL 522		2 x 2		5.43	6.97				27.5	0.62
AL 544	15.875 (5/8")	4 x 4	5.08	9.68	11.22	2.00	13.00	5.13	54.9	1.22
AL 566		6 x 6		13.90	15.45				82.4	1.81
AL 622		2 x 2		6.33	8.22				38.2	0.87
AL 644	19.05 (3/4")	4 x 4	5.94	11.28	13.17	2.40	15.60	6.00	76.5	1.71
AL 666		6 x 6		16.23	18.12				115.0	2.54
AL 822		2 x 2		8.18	10.97				64.7	1.51
AL 844	25.40 (1")	4 x 4	7.90	14.90	17.70	3.20	20.80	7.97	129.0	2.98
AL 866		6 x 6		21.60	24.40				194.0	4.44
AL 1022		2 x 2		10.03	13.22				98.1	2.69
AL 1044	31.75 (1 1/4")	4 x 4	9.48	18.35	21.55	4.00	26.00	9.57	196.0	5.31
AL 1066		6 x 6		26.65	29.85				294.0	7.93
AL 1222		2 x 2		12.10	15.80				141.0	3.57
AL 1244	38.10 (1 1/2")	4 x 4	11.04	22.00	25.70	4.80	31.20	11.14	282.0	7.07
AL 1266		6 x 6		31.93	35.62				424.0	10.56
AL 1444		4 x 4		25.65	30.15				373.0	10.34
AL 1466	44.45 (1 3/4")	6 x 6	12.64	37.28	41.77	5.60	36.40	12.74	559.0	15.16
AL 1644		4 x 4		29.03	34.02				471.0	12.98
AL 1666	50.80 (2")	6 x 6	14.21	42.23	47.22	6.40	41.60	14.32	706.0	19.41

Note:

1. For more detailed information regarding clevises and sheaves, please contact Tsubaki.

ANSI LEAF CHAIN



BL Type

Dimensions in mm

TSUBAKI Chain No.	Pitch p		Lacing Combination LC	Pin			Link Plate			Min. Tensile Strength acc. to Tsubaki kN	Approx. Mass kg/m
				Diameter d2	Length L1	Length L2	Thickness T	Height H (max)	Hole Diameter d4		
BL 422	12.70	(1/2")	2 x 2	5.08	5.44	6.99	2.00	12.00	5.13	23.5	0.68
BL 423			2 x 3		6.48	8.02				23.5	0.84
BL 434			3 x 4		8.61	10.15				35.3	1.13
BL 444			4 x 4		9.70	11.25				47.1	1.28
BL 446			4 x 6		11.80	13.35				47.1	1.65
BL 466			6 x 6		13.89	15.44				69.4	1.96
BL 522	15.875	(5/8")	2 x 2	5.94	6.32	8.23	2.40	15.00	6.00	39.2	1.07
BL 523			2 x 3		7.55	9.45				39.2	1.27
BL 534			3 x 4		10.05	11.95				58.8	1.69
BL 544			4 x 4		11.28	13.18				78.5	1.89
BL 546			4 x 6		13.75	15.65				78.5	2.40
BL 566			6 x 6		16.23	18.14				117.4	2.80
BL 622	19.05	(3/4")	2 x 2	7.90	8.20	11.02	3.20	18.10	7.97	63.7	1.68
BL 623			2 x 3		9.88	12.67				63.7	2.04
BL 634			3 x 4		13.23	16.02				95.6	2.83
BL 644			4 x 4		14.91	17.70				127.0	3.18
BL 646			4 x 6		18.25	21.05				127.0	4.01
BL 666			6 x 6		21.62	24.41				191.2	4.73
BL 822	25.40	(1")	2 x 2	9.48	10.08	13.28	4.00	24.10	9.57	103.0	2.59
BL 823			2 x 3		12.10	15.30				103.0	3.20
BL 834			3 x 4		16.28	19.47				155.0	4.44
BL 844			4 x 4		18.47	21.67				206.0	5.04
BL 846			4 x 6		22.50	25.70				206.0	6.32
BL 866			6 x 6		26.64	29.85				309.0	7.54
BL 1022	31.75	(1 1/4")	2 x 2	11.04	11.99	15.67	4.80	30.10	11.14	141.0	3.76
BL 1023			2 x 3		14.45	18.15				141.0	4.69
BL 1034			3 x 4		19.43	23.12				216.0	6.55
BL 1044			4 x 4		21.69	25.37				282.0	7.48
BL 1046			4 x 6		26.85	30.55				282.0	9.29
BL 1066			6 x 6		31.93	35.61				424.0	11.16
BL 1222	38.10	(1 1/2")	2 x 2	12.64	14.02	18.54	5.60	36.20	12.74	186.0	4.83
BL 1223			2 x 3		16.95	21.45				186.0	6.54
BL 1234			3 x 4		22.75	27.25				299.0	9.10
BL 1244			4 x 4		25.65	30.18				373.0	10.39
BL 1246			4 x 6		31.48	35.97				373.0	12.01
BL 1266			6 x 6		37.29	41.81				559.0	14.58
BL 1422	44.45	(1 3/4")	2 x 2	14.21	15.82	20.83	6.40	42.20	14.32	235.0	7.31
BL 1423			2 x 3		19.10	24.10				235.0	9.06
BL 1434			3 x 4		25.70	30.70				387.0	11.32
BL 1444			4 x 4		29.03	34.04				471.0	12.96
BL 1446			4 x 6		35.63	40.62				471.0	18.00
BL 1466			6 x 6		42.24	47.24				706.0	22.51
BL 1622	50.80	(2")	2 x 2	17.38	17.81	24.41	7.20	48.20	17.49	353.0	9.84
BL 1623			2 x 3		21.63	28.22				353.0	12.16
BL 1634			3 x 4		29.20	35.80				554.0	16.95
BL 1644			4 x 4		32.94	39.55				706.0	18.97
BL 1646			4 x 6		40.53	47.12				706.0	24.09
BL 1666			6 x 6		48.08	54.69				1060.0	28.73

Note:

1. For more detailed information regarding clevises and sheaves, please contact Tsubaki.