



# TKHP SERIES "THE GRIZZLY"

High-Performance cable carriers for  
long travel lengths and high additional loads



# TKHP SERIES

New high-performance cable carriers in solid design in two sizes for extremely long travel distances and high additional loads with integrated rollers

Our new TKHP series is a reliable and efficient cable routing for high-performance applications with travel lengths up to 1500 meters in rough conditions, such as port cranes or the transport of bulk materials. It can absorb a high level of force, is highly durable and dirt-resistant.

The TKHP is available in three versions: gliding, rolling (R), and rolling with roller damping (RSD). With an inner height of 58 mm or 92 mm and variable widths in 1-mm increments, the series can be flexibly adapted to virtually any installation situation.

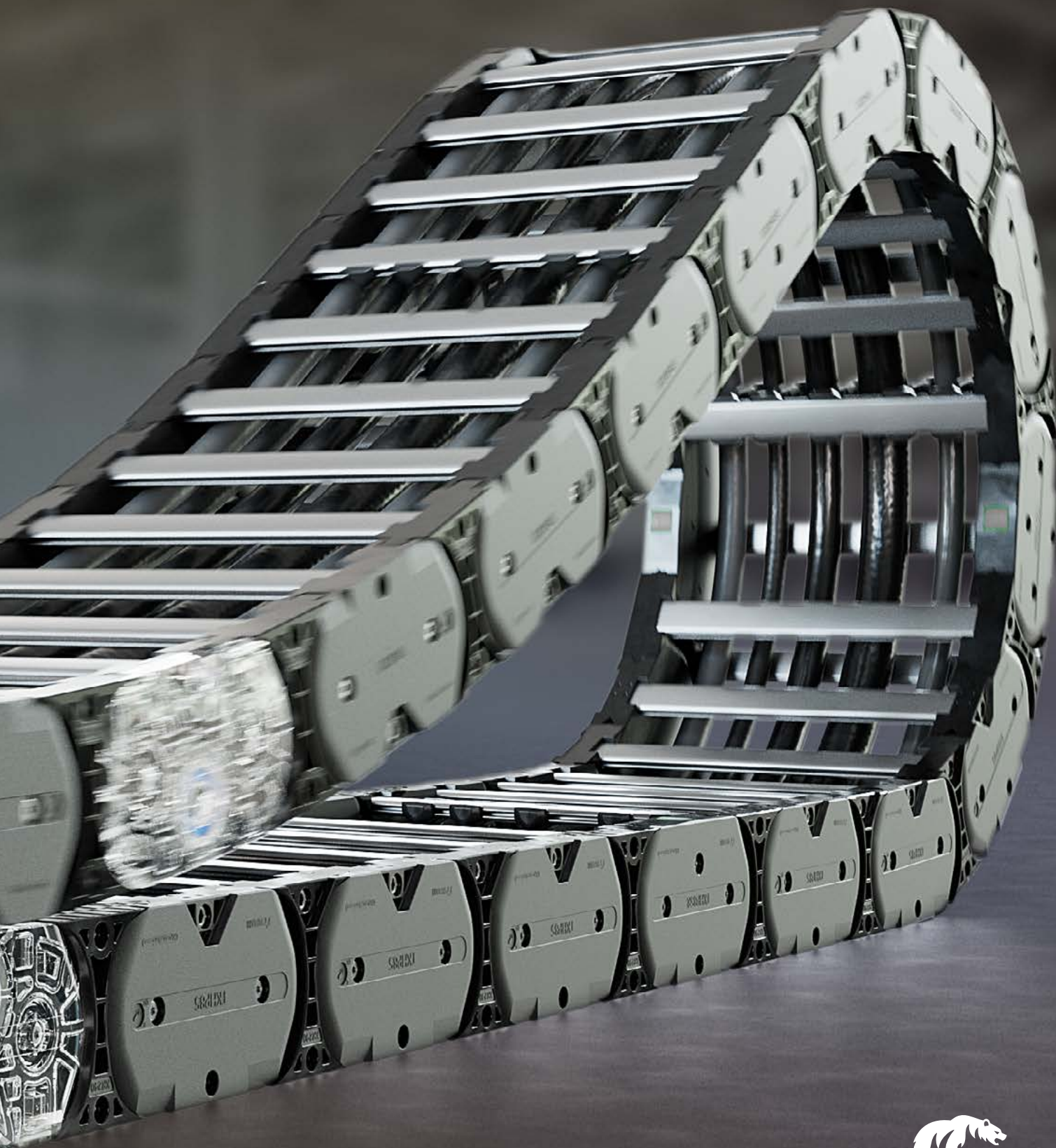
The performance of the TKHP is based on a clever design concept: The symmetrically positioned longitudinal axis ensures optimum force transmission and a reduction of the torques occurring in the cable carrier turning point. The encapsulated stroke system, the dirt-resistant, self-cleaning outer contour and the reinforced pin hole connection meet the highest requirements in terms of robustness. The solid sidebands with bolted chain links and a special double-fork and tab design also support the sturdiness of the TKHP.

The new TKHP series places a special focus on durability. We optimize this with the right materials, an intelligent cable carrier design and a sustainable service concept for the product. The design aspects include wear-free damping in the stroke system and aluminum opening stays that are gentle on the cables and resistant to seawater.

Thanks to the polygon-optimized outer contour, an integrated brake, and the virtually gap-free running faces, the cable carriers are particularly quiet. The small pitches of 85 or 90 mm also support the lower noise emissions. The smooth running is also promoted by the innovative roller damping, which lowers the mechanical load when moves over the rollers by up to 50 %.

The "grip grooves" on the running faces are another clever detail. These ensure that the rollers have optimum grip even in environments with fine dust. This makes one-sided wear caused by blocked rollers a thing of the past.

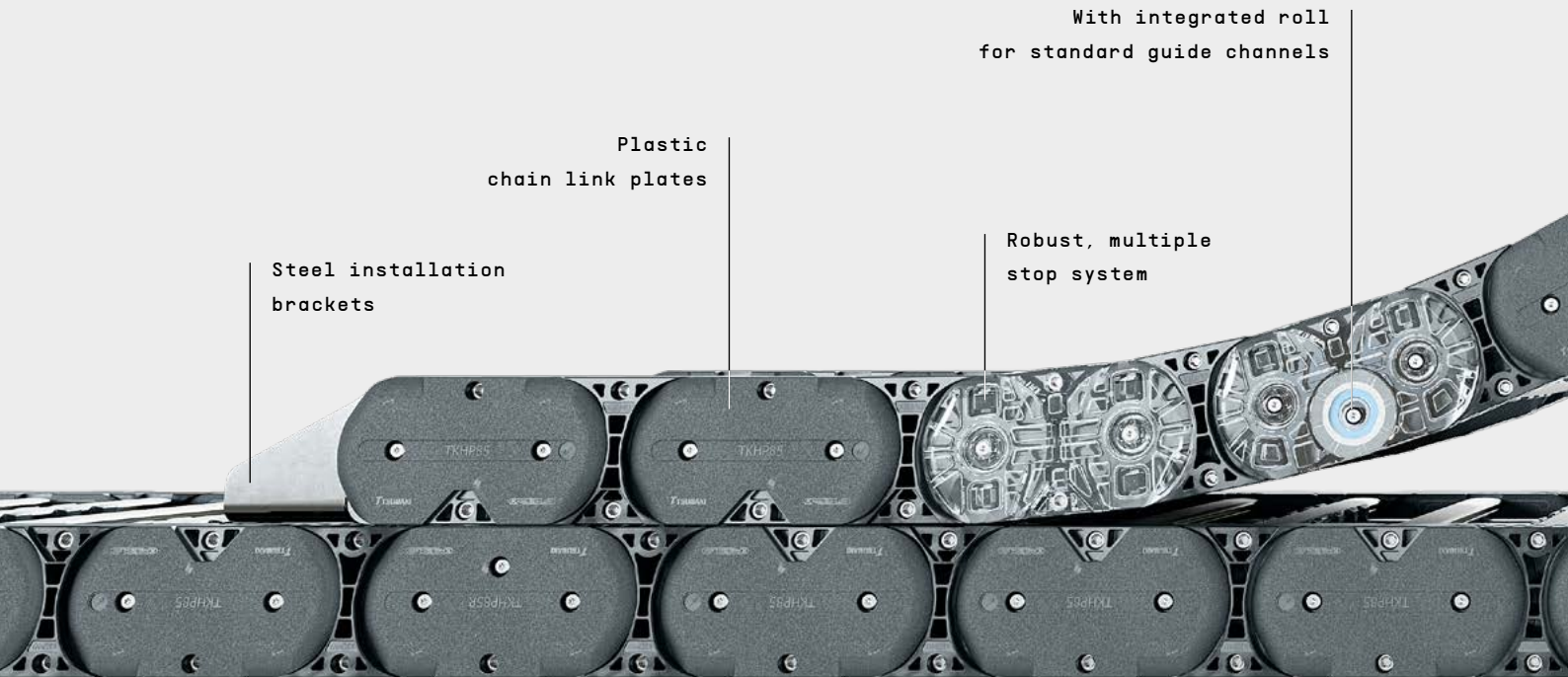






# TKHP SERIES „THE GRIZZLY“

Cable carriers from the new TKHP series from TSUBAKI KABELSCHLEPP combine everything that an application in a rough environment needs: maximum sturdiness, minimum maintenance effort, and an extremely long service life. The cable carriers are available in the specifications 85 and 90 with two different inner heights – gliding, rolling, or with innovative roller damping.



With integrated roll  
for standard guide channels

Plastic  
chain link plates

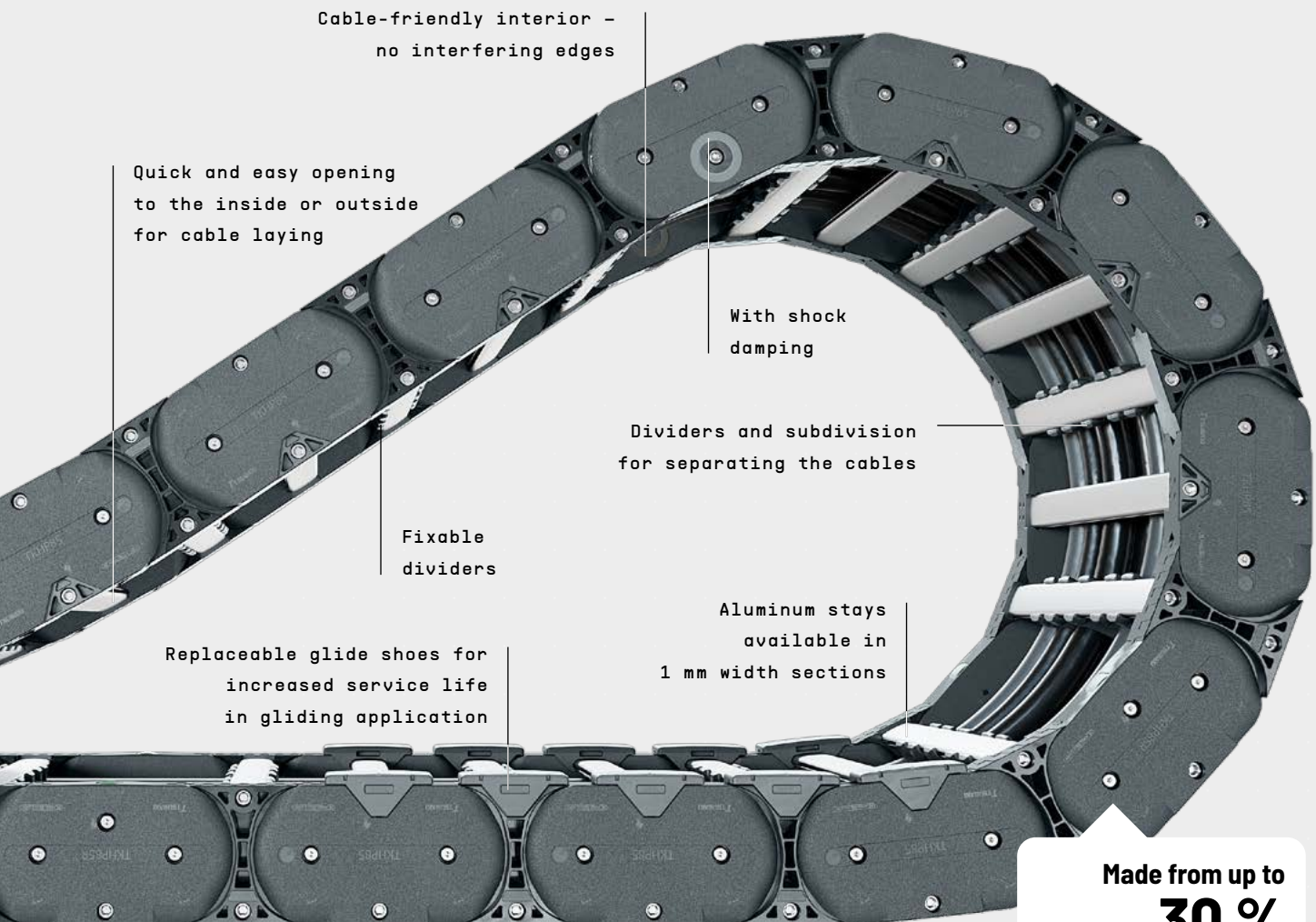
Steel installation  
brackets

Robust, multiple  
stop system

The assigned values are average values. Depending on the specific application, the maximum values may differ significantly. For detailed information please contact us.

## Features

- » High-performance cable carriers in three versions:
  - TKHP85/90
  - TKHP85/90-R with rollers
  - TKHP85/90-RSD with rollers and roller damping
- » Massive, enclosed, stain-repellent stop system
- » Massive sidebands through robust double fork-bracket-construction
- » Sidebands easy to assemble
- » Reinforced symmetrically arranged pin bore connection for better force transmission
- » Integrated noise damping
- » Quick and easy opening to the inside or outside for cable laying
- » Soil-resistant outer contour
- » Easy change of components
- » Maintenance-free
- » Linear force curve in the sideband
- » Quiet and low-wear operating through polygon-optimized contour and radii
- » Reduce drive power through less friction



Made from up to  
**30 %**  
recycled material

**1 mm** Inner width  
in 1 mm increments

High additional load

Long travel length

Sliding  
dividers

Roller chain

Fixable  
dividers

Opens  
inward/outward

Height separation  
possible



Very smooth running of the roller system due to almost continuous running surface.



A non-slip structure on the running surface prevents one-sided roller wear after a standstill.



Roller chain for travel distances up to 1200 m.



RSD version with roller damping to reduce noise and wear by up to 50 %.

# TKHP85 / TKHP85-R / TKHP85-RSD

## Aluminum stay RMF – Frame stay solid with optional fixing profile

- » Aluminum profile bars for heavy loads and large cable carrier widths. Easy threaded connection.
- » Outside/inside: Threaded joint easy to release
- » Stay arrangement on each chain link (VS: fully-stayed)

Inner height $h_i$	Outer height $h_o$	Inner widths $B_i$	Outer widths $B_k$	$B_i$ -grid	Pitch $t$	Bending radii KR	Inner Distribution
58 mm	84 / 84.5 mm	100-800 mm	154-854 mm	1 mm	85 mm	240-400 mm	TS0 / TS1

### TKHP85

Compact and lightweight high-performance cable carrier for unsupported and gliding applications



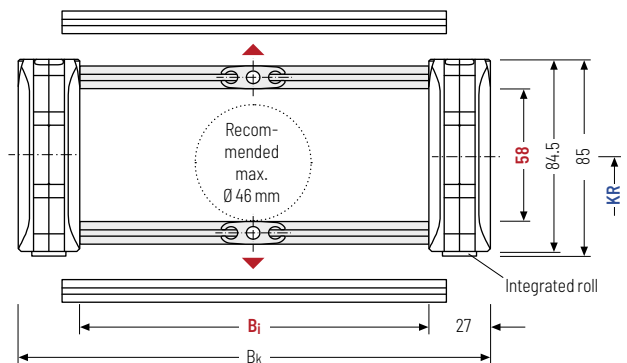
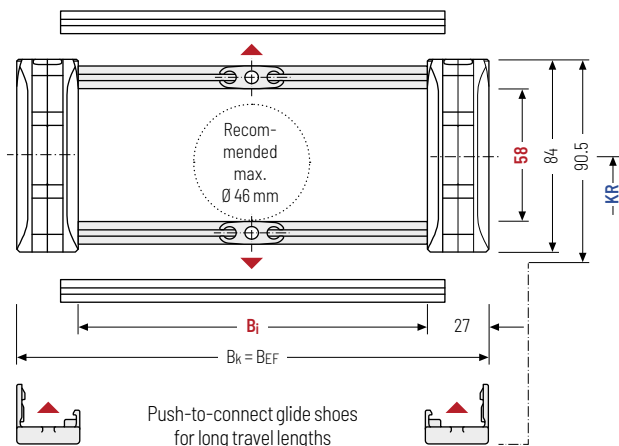
Additional load	30 kg/m	Travel speed	5 m/s
Travel length	200 m	Travel acceleration	2.5 m/s <sup>2</sup>

### TKHP85-R / TKHP85-RSD

Compact and lightweight high-performance cable carrier with rollers/roller damping for very long travel distances



Additional load	60 kg/m	Travel speed	5 m/s
Travel length	1200 m	Travel acceleration	50 m/s <sup>2</sup>



## End connectors – steel

The connection variants on the fixed point and on the driver can be combined and changed later on, if necessary.

### Connection point

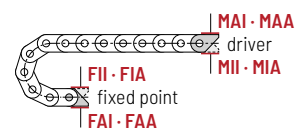
F fixed point  
M driver

### Connecting surface

I connecting surface inside  
A connecting surface outside

### Connection type

A threaded joint outside (standard)  
I threaded joint inside



# TKHP90 / TKHP90-R / TKHP90-RSD

## Aluminum stay RMF – Frame stay solid with optional fixing profile

- » Aluminum profile bars for heavy loads and large cable carrier widths. Easy threaded connection.
- » Outside/inside: Threaded joint easy to release
- » Stay arrangement on each chain link (VS: fully-stayed)

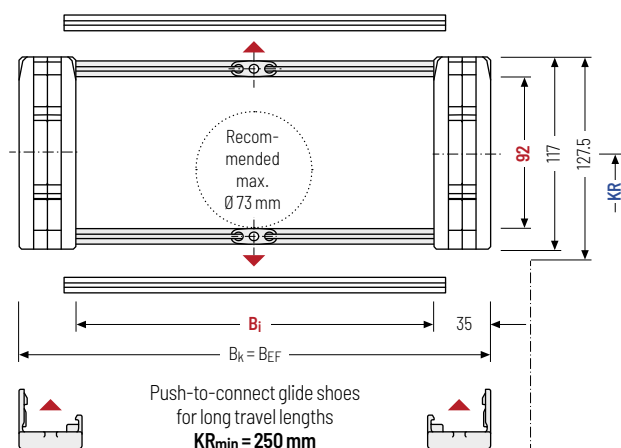
Inner height $h_i$	Outer height $h_o$	Inner widths $B_i$	Outer widths $B_k$	$B_i$ -grid	Pitch $t$	Bending radii $KR$	Inner Distribution
92 mm	117 / 117.5 mm	100-800 mm	170-870 mm	1 mm	90 mm	250-500 mm	TS0 / TS1

## TKHP90

High-performance cable carrier for unsupported and gliding applications



Additional load	100 kg/m	Travel speed	5 m/s
Travel length	200 m	Travel acceleration	2.5 m/s <sup>2</sup>

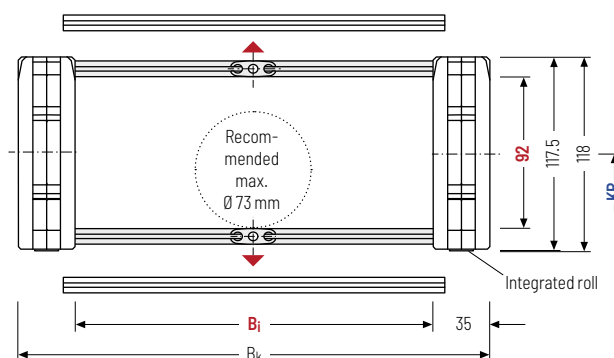


## TKHP90-R / TKHP90-RSD

High-performance cable carrier with rollers/roller damping for very long travel distances



Additional load	100 kg/m	Travel speed	10 m/s
Travel length	1500 m	Travel acceleration	50 m/s <sup>2</sup>



## End connectors – steel

The connection variants on the fixed point and on the driver can be combined and changed later on, if necessary.

### Connection point

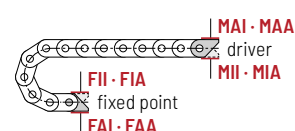
F fixed point  
M driver

### Connecting surface

I connecting surface inside  
A connecting surface outside

### Connection type

A threaded joint outside (standard)  
I threaded joint inside





## CONTACT

### TSUBAKI KABELSCHLEPP GmbH

Daimlerstraße 2  
D-57482 Wenden-Gerlingen

Tel: +49 2762 4003-0

E-Mail: [info@kabelschlepp.de](mailto:info@kabelschlepp.de)  
[kabelschlepp.de](http://kabelschlepp.de)



Your personal contact



The complete product range under:  
[tsubaki-kabelschlepp.com](http://tsubaki-kabelschlepp.com)